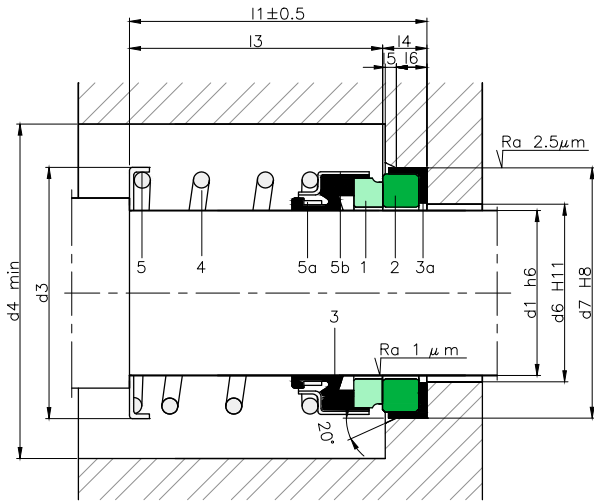


LRB01-LRB01S -LRB04 -LRB04A y LRB06



COMPONENTES:

- 1 Cara de roce rotante
- 2 Cara de roce fija
- 3 Fuelle
- 3a Junta elastomérica
- 4 Muelle
- 5 Anillo
- 5a Anillo de retención
- 5b Armadura metálica



SECTORES:



CARACTERÍSTICAS:

- No equilibrado.
- Sentido rotación independiente.
- Muelle simple cilíndrico.

LÍMITES OPERATIVOS:

$d_1 = 9.52 \div 101.60 \text{ mm}$   $p = 10 \text{ kg/cm}^2$   
 $v = 10 \text{ m/s}$   $t = -15 \div +200^\circ\text{C} (*)$

(\*) La resistencia a la temperatura está condicionada por el material de las juntas secundarias utilizadas.

Los límites operativos vienen condicionados por el factor PV, que está determinado tanto por las características del sistema de sellado como por las de la aplicación.

DESCRIPCIÓN:

Sello mecánico de construcción simple para uso general. El tipo LRB04/ LRB04A son modelos normalizados según EN 12756 (KU).

TABLA DIMENSIONAL LRB01

Medidas en pulgadas

Eje (")	mm	Parte rotante			Parte fija					Longitud total l <sub>1</sub>
		d <sub>3</sub>	d <sub>4</sub>	l <sub>3</sub>	d <sub>6</sub>	d <sub>7</sub>	l <sub>4</sub>	l <sub>5</sub>	l <sub>6</sub>	
3/8	9.52	23.80	28.80	22.20	15.90	22.22	6.3	1.3	5.1	28.50
1/2	12.70	23.80	28.80	20.60	19.05	25.40	8.0	1.3	5.1	28.60
5/8	15.88	26.50	31.50	22.20	22.20	31.75	10.3	1.3	7.5	32.50
3/4	19.05	30.50	35.50	22.20	25.40	34.93	10.3	1.3	7.5	32.50
7/8	22.20	34.00	39.50	24.00	28.60	38.10	10.3	1.3	7.5	34.30
1	25.40	40.00	45.00	25.40	31.80	41.28	11.0	1.3	8.3	36.40
1 1/8	28.60	44.50	49.50	27.00	35.70	44.45	11.0	1.3	8.3	38.00
1 1/4	31.75	46.50	52.00	27.00	38.90	47.66	11.0	1.3	8.3	38.00
1 3/8	34.92	51.50	56.50	28.50	42.10	50.80	11.0	1.3	8.3	39.50
1 1/2	38.10	54.00	60.00	28.50	45.20	54.00	11.0	1.3	8.3	39.50
1 5/8	41.27	58.00	63.00	35.00	48.80	60.30	12.7	1.3	9.8	47.70
1 3/4	44.45	61.50	66.50	35.00	51.60	63.50	12.7	1.3	9.8	47.70
1 7/8	47.62	65.50	70.50	38.00	54.80	66.65	12.7	1.3	9.8	50.70
2	50.80	70.50	75.50	38.00	58.00	69.85	12.7	1.3	9.8	50.70
2 1/8	53.97	75.00	80.00	43.00	62.00	76.20	14.3	1.3	11.4	57.30
2 1/4	57.15	79.00	84.00	43.00	65.00	79.40	14.3	1.3	11.4	57.30
2 3/8	60.32	82.00	87.00	46.00	68.00	82.55	14.3	1.3	11.4	60.30
2 1/2	63.50	87.00	92.00	46.00	71.20	85.70	14.3	1.3	11.4	60.30
2 5/8	66.68	88.00	96.50	49.20	71.00	85.70	15.9	1.3	13.2	65.10
2 3/4	69.85	90.00	98.00	49.20	74.60	88.90	15.9	1.3	13.2	65.10
2 7/8	73.03	95.00	104.00	52.40	77.80	95.25	15.9	1.3	13.2	68.30
3	76.20	99.00	104.00	52.40	81.00	98.43	15.9	1.3	13.2	68.30
3 1/8	79.38	104.00	109.00	55.50	80.10	101.60	19.8	1.3	15.4	74.90
3 1/4	82.55	109.00	114.00	55.50	87.30	104.78	19.8	1.3	15.4	74.90
3 3/8	85.73	109.00	114.00	55.50	90.50	107.95	19.8	1.3	15.4	74.90
3 1/2	88.90	114.00	119.00	55.50	93.60	111.13	19.8	1.3	15.4	74.90
3 5/8	92.08	119.00	124.00	58.70	96.80	114.30	19.8	1.3	15.4	78.50
3 3/4	95.25	119.00	124.00	58.70	100.00	117.48	19.8	1.3	15.4	78.50
3 7/4	98.43	124.00	129.00	61.90	103.10	120.65	19.8	1.3	15.4	81.70
4	101.60	124.00	129.00	61.90	106.30	123.83	19.8	1.3	15.4	81.70

Medidas sujetas a variaciones o modificaciones.

TABLA DIMENSIONAL LRB01S

Medidas en pulgadas

Eje (")	mm	Parte rotante			Parte fija					Longitud total l <sub>1</sub>
		d <sub>3</sub>	d <sub>4</sub>	l <sub>3</sub>	d <sub>6</sub>	d <sub>7</sub>	l <sub>4</sub>	l <sub>5</sub>	l <sub>6</sub>	
3/8	9.52	22	27	25.4	16	24.6	8.7	1.3	6.2	34.1
1/2	12.70	26	31	25.4	19	27.8	8.7	1.3	6.2	34.1
5/8	15.88	32	37	25.4	22	30.9	10.3	1.3	9.0	35.7
3/4	19.05	36	41	25.4	25	34.1	10.3	1.3	9.0	35.7
7/8	22.20	39	44	25.4	28	37.3	10.3	1.3	9.0	35.7
1	25.40	42	47	25.4	32	40.5	10.3	1.3	9.0	35.7
1 1/8	28.60	46	51	33.3	36	47.6	12.0	1.3	9.2	45.5
1 1/4	31.75	49	54	33.3	39	50.8	12.0	1.3	9.2	45.5
1 3/8	34.92	54	59	33.3	42	53.9	12.0	1.3	9.2	45.5
1 1/2	38.10	59	64	33.3	45	57.1	12.0	1.3	9.2	45.5
1 5/8	41.27	61	66	33.3	48	60.3	12.0	1.3	9.2	45.5
1 3/4	44.45	64	69	40.5	52	63.5	12.0	1.3	9.2	52.5
1 7/8	47.62	66	71	40.5	55	66.7	12.0	1.3	9.2	52.5
2	50.80	69	74	40.5	58	69.8	13.5	1.3	10.7	54.0
2 1/8	53.97	78	83	41.0	62	73.1	13.5	1.3	10.7	54.5
2 1/4	57.15	80	85	41.0	65	76.2	13.5	1.3	10.7	54.5
2 3/8	60.32	83	88	41.0	68	79.4	13.5	1.3	10.7	54.5
2 1/2	63.50	85	90	41.0	71	82.5	13.5	1.3	10.7	54.5
2 5/8	66.68	90	95	49.0	78	92.1	15.9	1.3	13.2	64.9
2 3/4	69.85	95	100	49.0	81	95.2	15.9	1.3	13.2	64.9
2 7/8	73.03	99	104	49.0	84	98.4	15.9	1.3	13.2	64.9
3	76.20	99	104	49.0	88	101.6	15.9	1.3	13.2	64.9
3 1/8	79.38	104	109	56.0	94	111.1	20.0	1.3	17.2	76.0
3 1/4	82.55	109	114	56.0	97	114.3	20.0	1.3	17.2	76.0
3 3/8	85.73	109	114	56.0	100	117.5	20.0	1.3	17.2	76.0
3 1/2	88.90	114	119	56.0	103	120.6	20.0	1.3	17.2	76.0
3 5/8	92.08	119	124	59.0	106	123.8	20.0	1.3	17.2	79.0
3 3/4	95.25	119	124	59.0	109	127.0	20.0	1.3	17.2	79.0
3 7/4	98.43	124	129	62.0	113	130.2	20.0	1.3	17.2	82.0
4	101.60	124	129	62.0	116	133.3	20.0	1.3	17.2	82.0

Medidas sujetas a variaciones o modificaciones.

TABLA DIMENSIONAL LRB04 / LRB04A

Medidas en mm

Eje mm	Parte rotante				Parte fija							Longitud total
	d <sub>3</sub>	d <sub>4</sub>	l <sub>3</sub>	l <sub>3A</sub>	d <sub>6</sub>	d <sub>7</sub>	l <sub>4</sub>	l <sub>4A</sub>	l <sub>5</sub>	l <sub>6</sub>	l <sub>1</sub>	
10	20	25	23.9	---	17	21	8.6	---	1.5	4	32.5	
12	22	27	23.9	26	19	23	8.6	6.5	1.5	4	32.5	
14	24	29	26.4	---	21	25	8.6	---	1.5	4	35.0	
16	26	31.5	26.4	24.7	23	27	8.6	10.3	1.5	4	35.0	
18	32	37	27.5	---	27	33	10.0	---	2.0	4	37.5	
20	34	39.5	27.5	---	29	35	10.0	---	2.0	5	37.5	
22	36	41	27.5	26.5	31	37	10.0	11	2.0	5	37.5	
24	38	45	30.0	29.0	33	39	10.0	11	2.0	5	40.0	
25	39	45	30.0	29.0	34	40	10.0	11	2.0	5	40.0	
28	42	49.5	32.5	31.5	37	43	10.0	11	2.0	5	42.5	
30	44	52	32.5	31.5	39	45	10.0	11	2.0	5	42.5	
32	46	52	32.5	31.5	42	48	10.0	11	2.0	5	42.5	
33	47	55.5	32.5	31.5	42	48	10.0	11	2.0	5	42.5	
35	49	56.5	32.5	31.5	44	50	10.0	11	2.0	5	42.5	
38	54	60	34.0	---	49	56	11.0	---	2.0	6	45.0	
40	56	63	34.0	32.3	51	58	11.0	12.7	2.0	6	45.0	
43	59	66.5	34.0	32.3	54	61	11.0	12.7	2.0	6	45.0	
45	61	66.5	34.0	32.3	56	63	11.0	12.7	2.0	6	45.0	
48	64	70.5	34.0	32.3	59	66	11.0	12.7	2.0	6	45.0	
50	66	75	34.5	34.8	62	70	13.0	12.7	2.5	6	47.5	
53	69	79	34.5	33.2	65	73	13.0	14.3	2.5	6	47.5	
55	71	81	34.5	33.2	67	75	13.0	14.3	2.5	6	47.5	
58	78	84	39.5	38.2	70	78	13.0	14.3	2.5	6	52.5	
60	80	87	39.5	38.2	72	80	13.0	14.3	2.5	6	52.5	
63	83	91	39.5	38.2	75	83	13.0	14.3	2.5	6	52.5	
65	85	92	39.5	36.5	77	85	13.0	16	2.5	6	52.5	
68	88	96.5	37.2	36.5	81	90	15.3	16	2.5	7	52.5	
70	90	98	44.7	44.0	83	92	15.3	16	2.5	7	60.0	
75	99	104	44.7	---	88	97	15.3	---	2.5	7	60.0	
80	104	109	44.3	---	95	105	15.7	---	3.0	7	60.0	
85	109	114	44.3	---	100	110	15.7	---	3.0	7	60.0	
90	114	119	49.3	---	105	115	15.7	---	3.0	7	65.0	
95	119	124	49.3	---	110	120	15.7	---	3.0	7	65.0	
100	124	129	49.3	---	115	125	15.7	---	3.0	7	65.0	

Medidas sujetas a variaciones o modificaciones.

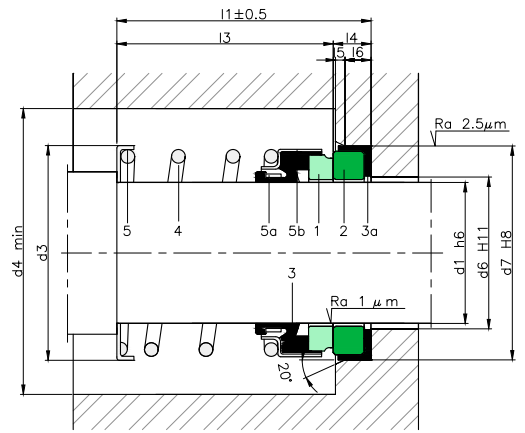


TABLA DIMENSIONAL LRB06

Medidas en mm

Eje mm	Parte rotante			Parte fija						Longitud total
	d <sub>3</sub>	d <sub>4</sub>	l <sub>3</sub>	d <sub>6</sub>	d <sub>7</sub>	l <sub>4</sub>	l <sub>5</sub>	l <sub>6</sub>	l <sub>1</sub>	
10	20	25	25.4	16.0	24.6	8.7	1.5	7.5	34.1	
12	22	27	25.4	19.0	27.8	8.7	1.5	7.5	34.1	
13	24	29	25.4	19.0	27.8	8.7	1.5	7.5	34.1	
14	24	29	25.4	22.2	30.9	10.3	1.5	7.5	35.7	
15	26	31	25.4	22.2	30.9	10.3	1.5	7.5	35.7	
16	26	31	25.4	22.2	30.9	10.3	1.5	7.5	35.7	
18	32	37	25.4	25.4	34.1	10.3	1.5	7.5	35.7	
19	34	39	25.4	25.4	34.1	10.3	1.5	7.5	35.7	
20	34	39	25.4	27.0	35.7	10.3	1.5	7.5	35.7	
22	36	41	25.4	28.6	37.3	10.3	1.5	7.5	35.7	
24	38	43	25.4	31.7	40.5	10.3	1.5	7.5	35.7	
25	39	44	25.4	31.7	40.5	10.3	1.5	7.5	35.7	
28	42	47	33.3	35.7	47.6	12.0	2.0	8.5	45.3	
30	44	49	33.3	38.9	50.8	12.0	2.0	8.5	45.3	
32	46	51	33.3	38.9	50.8	12.0	2.0	8.5	45.3	
33	47	52	33.3	42.1	54.0	12.0	2.0	8.5	45.3	
34	49	54	33.3	42.1	54.0	12.0	2.0	8.5	45.3	
35	49	54	33.3	42.1	54.0	12.0	2.0	8.5	45.3	
38	54	59	33.3	45.2	57.2	12.0	2.0	8.5	45.3	
40	56	61	33.3	48.8	60.3	12.0	2.0	8.5	45.3	
42	59	64	40.5	51.6	63.5	12.0	2.0	8.5	52.5	
43	59	64	40.5	51.6	63.5	12.0	2.0	8.5	52.5	
44	61	66	40.5	51.6	63.5	12.0	2.0	8.5	52.5	
45	61	66	40.5	51.6	63.5	12.0	2.0	8.5	52.5	
48	64	69	40.5	54.8	66.7	12.0	2.0	8.5	52.5	
50	66	71	40.5	58.0	69.8	13.5	2.0	8.5	52.5	
53	69	74	41.0	62.0	73.0	13.5	2.0	10.0	54.5	
55	71	76	41.0	65.0	76.2	13.5	2.0	10.0	54.5	
58	78	83	41.0	68.0	79.4	13.5	2.0	10.0	54.5	
60	80	85	41.0	68.0	79.4	13.5	2.0	10.0	54.5	
63	83	88	41.0	71.2	82.5	13.5	2.0	10.0	54.5	
65	85	90	49.0	78.3	92.1	15.9	2.0	12.0	64.9	
70	90	95	49.0	81.1	95.5	15.9	2.0	12.0	64.9	
75	99	104	49.0	88.1	101.6	15.9	2.0	12.0	64.9	
80	104	109	56.0	97.0	114.3	20.0	2.0	16.5	76.0	
85	109	114	56.0	100.0	117.5	20.0	2.0	16.5	76.0	
90	114	119	59.0	107.0	123.8	20.0	2.0	16.5	79.0	
95	119	124	59.0	110.0	127.0	20.0	2.0	16.5	79.0	
100	124	129	62.0	116.0	133.3	20.0	2.0	16.5	82.0	

Medidas sujetas a variaciones o modificaciones.

