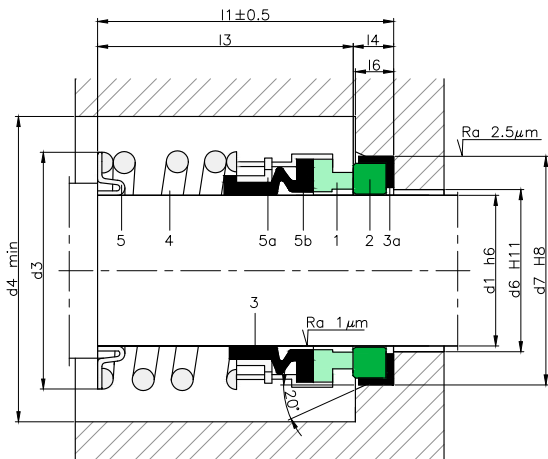


LRBOOU y LRBOOL

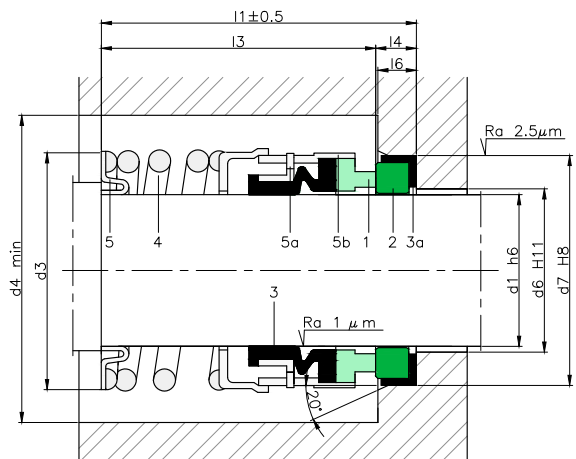


COMPONENTES:

- 1 Cara de roce rotante
- 2 Cara de roce fija
- 3 Fuelle
- 3a Junta elastomérica
- 4 Muelle
- 5 Anillo
- 5a Anillo de retención
- 5b Armadura metálica



TIPO LRBOOU



TIPO LRBOOL

TABLA DIMENSIONAL LRBOOU

Medidas en pulgadas

Eje (")	mm	Parte rotante			Parte fija				Longitud total l ₁
		d ₃	d ₄	l ₃	d ₆	d ₇	l ₄	l ₆	
5/8	15.88	27.8	31.8	33.3	23.80	31.75	10.3	8.7	43.6
3/4	19.05	30.9	34.9	33.3	26.98	34.93	10.3	8.7	43.6
7/8	22.23	34.1	38.1	33.3	30.15	38.10	10.3	8.7	43.6
1	25.40	38.1	42.1	39.7	33.32	41.28	11.1	9.5	50.8
1 1/8	28.58	41.3	45.3	41.3	36.50	44.44	11.1	9.5	52.4
1 1/4	31.75	46.0	50.0	41.3	39.70	47.63	11.1	9.5	52.4
1 3/8	34.93	47.6	51.6	42.9	42.84	50.80	11.1	9.5	54.0
1 1/2	38.10	50.8	54.8	42.9	46.05	53.98	11.1	9.5	54.0
1 5/8	41.28	57.2	61.2	50.8	50.80	60.33	12.7	11.1	63.5
1 3/4	44.45	60.4	64.4	50.8	53.97	63.50	12.7	11.1	63.5
1 7/8	47.63	63.5	67.5	54.0	57.15	66.68	12.7	11.1	66.7
2	50.80	66.7	70.7	54.0	60.32	69.85	12.7	11.1	66.7
2 1/8	53.98	71.4	75.4	60.3	60.32	76.20	14.2	12.7	74.5
2 1/4	57.15	74.6	78.6	60.3	61.90	79.38	14.2	12.7	74.5
2 3/8	60.33	78.3	82.3	63.5	67.39	82.55	14.2	12.7	77.7
2 1/2	63.50	81.0	85.0	63.5	68.25	85.73	14.2	12.7	77.7
2 5/8	66.68	85.7	89.7	69.9	71.42	85.73	15.8	14.5	85.7
2 3/4	69.85	88.9	92.9	69.9	74.60	88.90	15.8	14.5	85.7
2 7/8	73.03	92.1	96.1	73.0	77.77	95.25	15.8	14.5	88.8
3	76.20	95.3	99.3	73.0	80.95	98.43	15.8	14.5	88.8
3 1/8	79.38	101.6	105.6	79.4	84.12	101.60	19.8	16.6	99.2
3 1/4	82.55	104.8	108.8	79.4	87.30	104.78	19.8	16.6	99.2
3 3/8	85.73	108.0	112.0	79.4	90.47	107.95	19.8	16.6	99.2
3 1/2	88.90	111.1	115.1	79.4	93.65	111.13	19.8	16.6	99.2
3 5/8	92.08	114.3	118.3	82.6	96.82	114.30	19.8	16.6	102.4
3 3/4	95.25	117.7	121.7	82.6	100.00	117.48	19.8	16.6	102.4
3 7/8	98.43	120.7	124.7	85.7	103.17	120.65	19.8	16.6	105.5
4	101.60	123.8	127.8	85.7	106.35	123.85	19.8	16.6	105.5

Medidas sujetas a variaciones o modificaciones.

TABLA DIMENSIONAL LRBOOL

Medidas en pulgadas

Eje (")	mm	Parte rotante			Parte fija				Longitud total l ₁
		d ₃	d ₄	l ₃	d ₆	d ₇	l ₄	l ₆	
5/8	15.88	27.8	31.8	44	17.0	30.9	10.5	8.7	54.5
3/4	19.05	30.9	34.9	44	20.0	34.1	10.5	8.7	54.5
7/8	22.23	34.1	38.1	44	23.0	37.3	10.5	8.7	54.5
1	25.40	38.1	42.1	44	26.5	40.5	10.5	8.7	54.5
1 1/8	28.58	41.3	45.3	60	29.5	47.6	12.0	10.3	72.0
1 1/4	31.75	46.0	50.0	60	32.5	50.8	12.0	10.3	72.0
1 3/8	34.93	47.6	51.6	60	36.5	54.0	12.0	10.3	72.0
1 1/2	38.10	50.8	54.8	60	39.5	57.1	12.0	10.3	72.0
1 5/8	41.28	57.2	61.2	60	42.5	60.3	12.0	10.3	72.0
1 3/4	44.45	60.4	64.4	71	46.0	63.5	12.0	10.3	83.0
1 7/8	47.63	63.5	67.5	71	49.0	66.7	12.0	10.3	83.0
2	50.80	66.7	70.7	71	52.0	69.8	13.5	12.0	84.5
2 1/8	53.98	71.4	75.4	71	55.5	73.1	13.5	12.0	84.5
2 1/4	57.15	74.6	78.6	71	58.5	76.2	13.5	12.0	84.5
2 3/8	60.33	78.3	82.3	71	61.5	79.4	13.5	12.0	84.5
2 1/2	63.50	81.0	85.0	71	65.0	82.5	13.5	12.0	84.5
2 5/8	66.68	85.7	89.7	70	68.0	92.1	16.0	14.3	86.0
2 3/4	69.85	88.9	92.9	70	71.0	95.2	16.0	14.3	86.0
2 7/8	73.03	92.1	96.1	73	74.5	98.4	16.0	14.3	89.0
3	76.20	95.3	99.3	73	77.5	101.6	16.0	14.3	89.0
3 1/8	79.38	101.6	105.6	79	80.5	111.1	20.0	18.3	99.0
3 1/4	82.55	104.8	108.8	79	84.0	114.3	20.0	18.3	99.0
3 3/8	85.73	108.0	112.0	79	87.0	117.5	20.0	18.3	99.0
3 1/2	88.90	111.1	115.1	79	90.5	120.6	20.0	18.3	99.0
3 5/8	92.08	114.3	118.3	83	93.5	123.8	20.0	18.3	103.0
3 3/4	95.25	117.7	121.7	83	96.5	127.0	20.0	18.3	103.0
3 7/8	98.43	120.7	124.7	86	100.0	130.2	20.0	18.3	106.0
4	101.60	123.8	127.8	86	103.0	133.3	20.0	18.3	106.0

Medidas sujetas a variaciones o modificaciones.